



PFA LINED T STRAINERS - BSF

The PFA lined T strainers BSF meet the highest requirements of the chemical industry where it's important to ensure high resistance to corrosive fluids and the cleaning or exchange of the cartridge without any media contact.

The PFA heavy duty lining prevents any damage even if aggressive and permeating fluids circulate inside the strainer. The T strainers can be installed vertically or horizontally and are suitable for connection with flanges according to DIN EN 1092-1 or ANSI B 16.5 150/300 class.

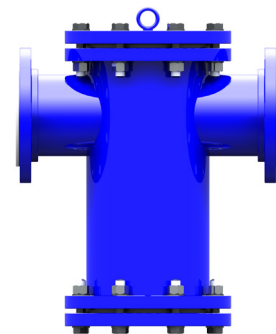
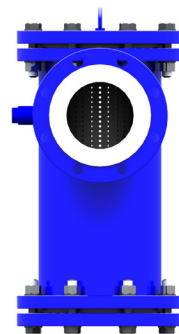
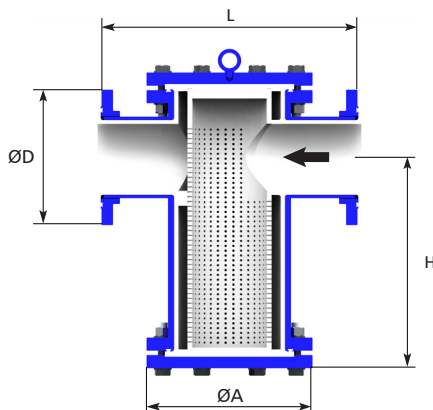
CE Conformity acc. to European Pressure Equipment Directive 2014/68/UE (PED)

KEY FEATURES

- * Body made of carbon steel, RAL 5005 signal-blue coating
- * Special execution on request made of low temperature carbon steel
- * Lining for body made of PFA or PFA-AS (conductive)
- * Cartridge made of PTFE/PTFE with intermediate ETFE filtering net 250 micron standard mesh, different sizes up to 5000 micron on request
- * Tie rods, nuts and washers in stainless steel A2-70
- * Face to face according to DIN 3202-F1 or to ANSI-EN 558-1 range 10
- * Made in Italy

OPERATING CONDITIONS

- * Temperature range from -40°C (-40°F) up to +150°C (+302°F), depending on body material
- * Pressure range from 0,05 Torr up to 16 bar (230 psi), depending on sizes/pressure/temperature



DN	ØD (mm)		H (mm)	L (mm)		ØA (mm)	Weight (Kg)	
	DIN	ANSI		DIN	ANSI		DIN	ANSI
25 - 1"	115	107,9	130	160	152	61	7,0	6,0
40 - 1½"	150	127,0	225	200	178	73	15,0	13,0
50 - 2"	165	152,4	237	230	203	90	18,0	16,0
65 - 2½"	185	177,8	252	290	241	115	26,0	22,0
80 - 3"	200	190,5	255	310	241	115	28,0	25,0
100 - 4"	220	228,6	340	350	292	136	80,0	73,0
150 - 6"	285	279,4	395	480	480 ⁽¹⁾	254	140,0	140,0

⁽¹⁾ Face to face according to DIN 3202 - F1

