



PTFE LINED Y STRAINERS - YSF

The PTFE lined strainers YSF meet the highest requirements of the chemical industry where it's important to ensure high resistance to corrosion under severe working conditions. The PTFE heavy duty lining prevents any damage even if aggressive and permeating fluids circulate inside the strainer. The Y strainers can be installed vertically or horizontally and are suitable for connection with flanges according to DIN EN 1092-1 or ANSI B 16.5 150/300 class from DN 25-1" to DN 250-10".

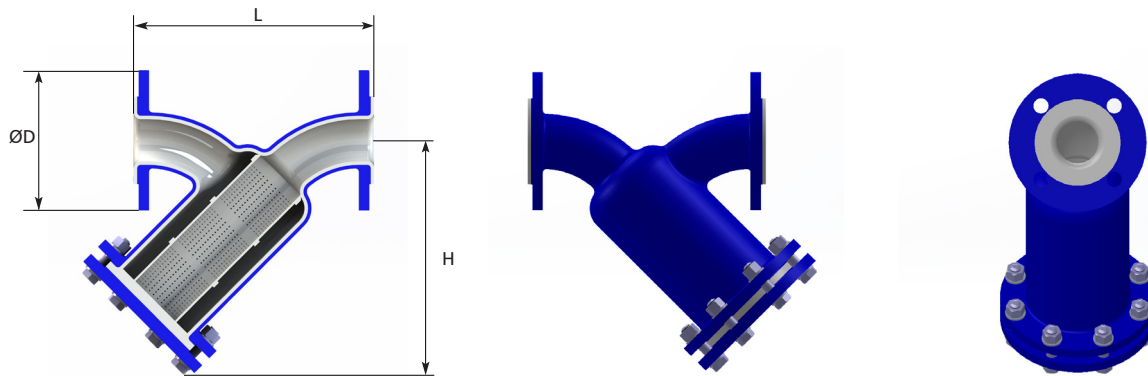
CE Conformity acc. to European Pressure Equipment Directive 2014/68/UE (PED)

KEY FEATURES

- * Body made of carbon steel, RAL 5005 signal-blue coating
- * Special execution on request made of low temperature carbon steel
- * Lining for body and filter-cartridge made of virgin PTFE or C-PTFE (conductive)
- * Cartridge 210 micron standard mesh, on request 400, 500, 1000, 2000, 3000, 5000 or 7000 micron
- * Tie rods, nuts and washers in stainless steel A2-70
- * Face to face only available according to DIN 3202-F1
- * Made in Italy

OPERATING CONDITIONS

- * Temperature range from -40°C (-40°F) up to +150°C (+302°F), depending on body material
- * Pressure range from 0,05 Torr up to 16 bar (230 psi), depending on sizes/pressure/temperature



DN	L (mm)	H (mm)	ØD (mm)		Weight (Kg)	
			DIN	ANSI	DIN	ANSI
25 - 1"	160	120	115	107,9	5,5	5,9
40 - 1½"	200	160	150	127,0	13,0	13,5
50 - 2"	230	180	165	152,4	16,5	17,1
80 - 3"	310	240	200	190,5	26,2	26,3
100 - 4"	350	280	220	228,6	35,0	35,2
150 - 6"	480	370	285	279,4	64,0	64,6
200 - 8"	600	583	340	348,9	101,8	101,5
250 - 10"	730	685	395	406,4	120,0	120,5

